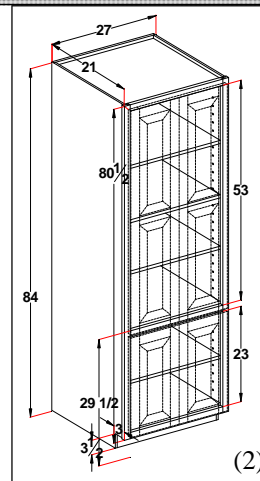
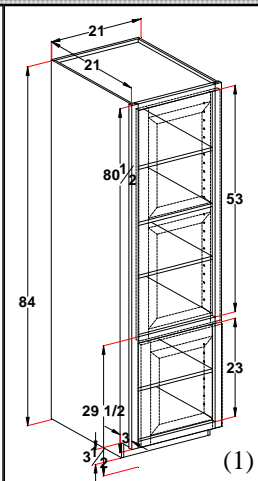
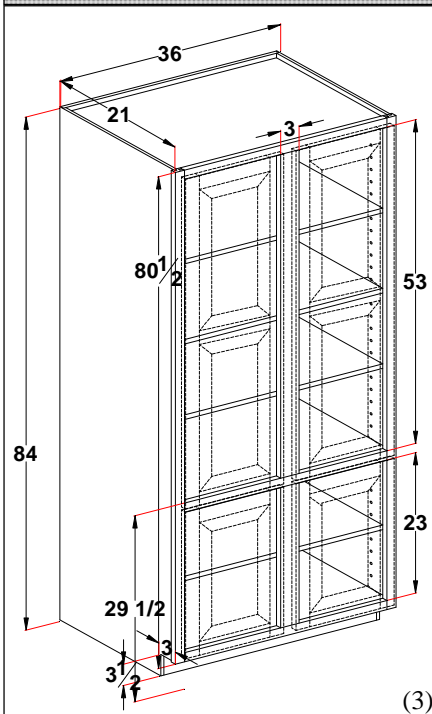


# Linen closet 21" deep child height 29-1/2"

## Linen closet 84" tall - **FRAMED**



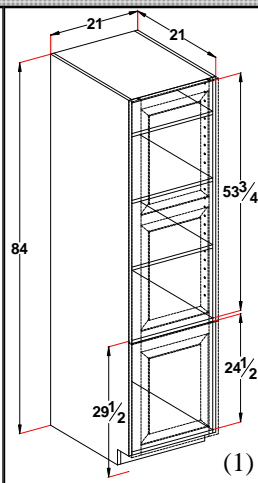
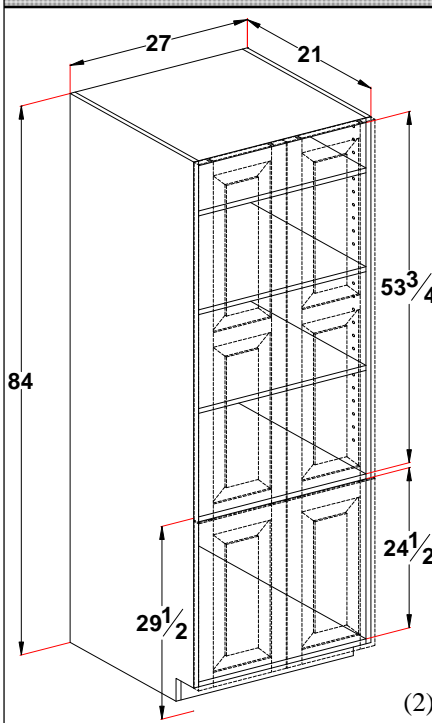
Cabinet	List Price
LCC152184(1)	762
LCC182184(1)	840
LCC212184(1)	917
LCC242184(2)	1017
LCC272184(2)	1094
LCC302184(3)	1203
LCC332184(3)	1275
LCC362184(3)	1352

Note: Toe kick is attached. (Specify unattached for tilt up clearance) Finished ends on cabinets with unattached toe kick are shipped loose.

- (1) Single hung specify left or right hinge.
- (2) 2 door butt doors
- (3) 2 door w/mullion.

For 18" deep change the 21 to 18 for example (LCC361884) N/C  
**Drawings show standard overlay openings only.**

## Linen closet 84" tall - **FRAMELESS**



Cabinet	List Price
LCC152184(1)	839
LCC182184(1)	924
LCC212184(1)	1009
LCC242184(2)	1119
LCC272184(2)	1204
LCC302184(2)	1324
LCC332184(2)	1403
LCC362184(2)	1488

Note: Toe kick is attached. (Specify unattached for tilt up clearance). Finished ends will still be applied. Unable to ship finished end loose.

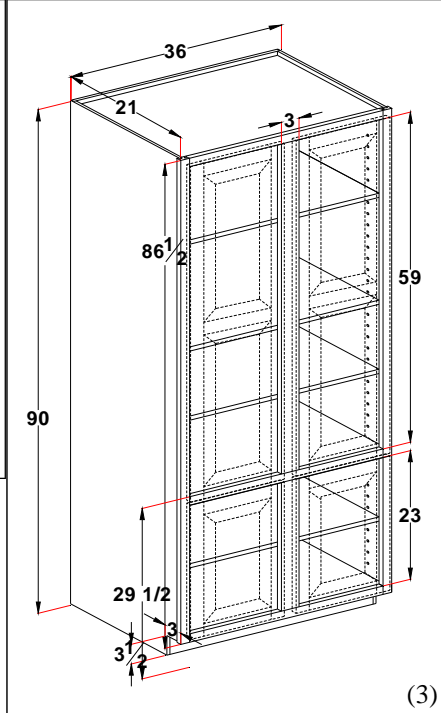
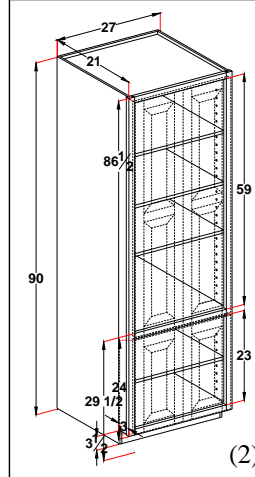
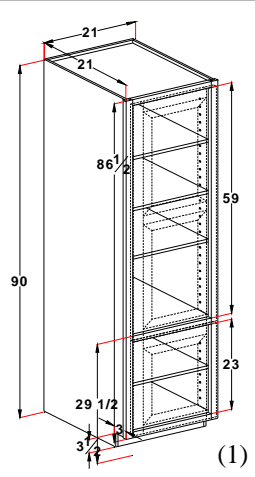
- (1) Single hung specify left or right hinge.
- (2) 2 door butt doors

For 18" deep change the 21 to 18 for example (LCC361884) N/C

# Linen closet 21" deep child height 29-1/2"

## Linen closet 90" tall - FRAMED

Cabinet	List Price
LCC152190(1)	808
LCC182190(1)	890
LCC212190(1)	972
LCC242190(2)	1078
LCC272190(2)	1160
LCC302190(3)	1275
LCC332190(3)	1352
LCC362190(3)	1433



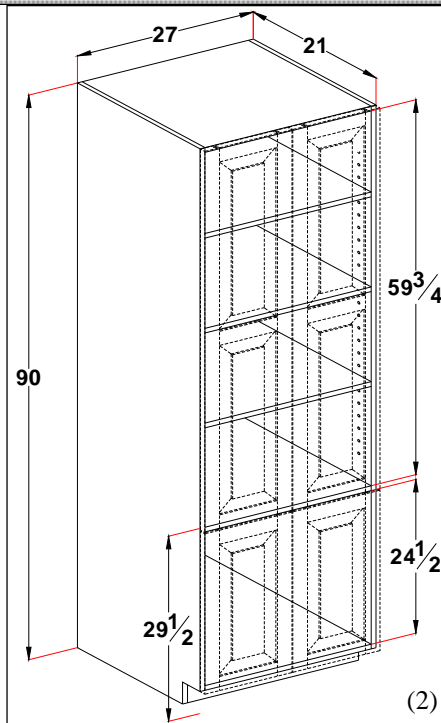
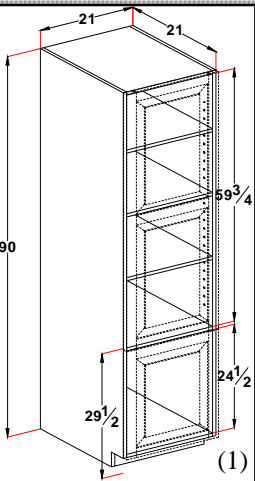
Note: Toe kick is attached. (Specify unattached for tilt up clearance) Finished ends on cabinets with unattached toe kick are shipped loose.

For 18" deep change the 21 to 18 for example (LCC361890) N/C  
**Drawings show standard overlay openings only.**

- (1) Single hung specify left or right hinge.
- (2) 2 door butt doors
- (3) 2 door w/mullion.

## Linen closet 90" tall - FRAMELESS

Cabinet	List Price
LCC152190(1)	889
LCC182190(1)	979
LCC212190(1)	1070
LCC242190(2)	1186
LCC272190(2)	1276
LCC302190(2)	1403
LCC332190(2)	1488
LCC362190(2)	1577



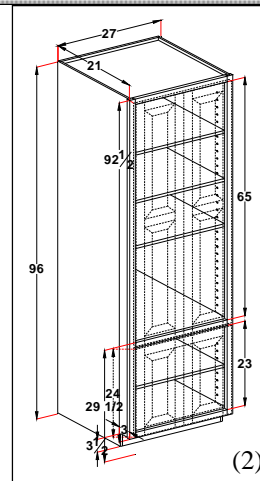
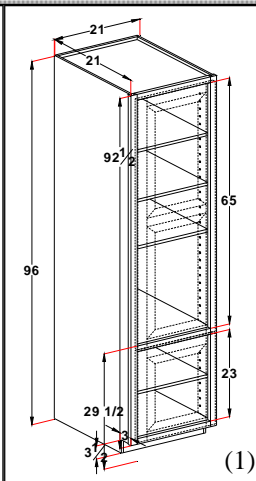
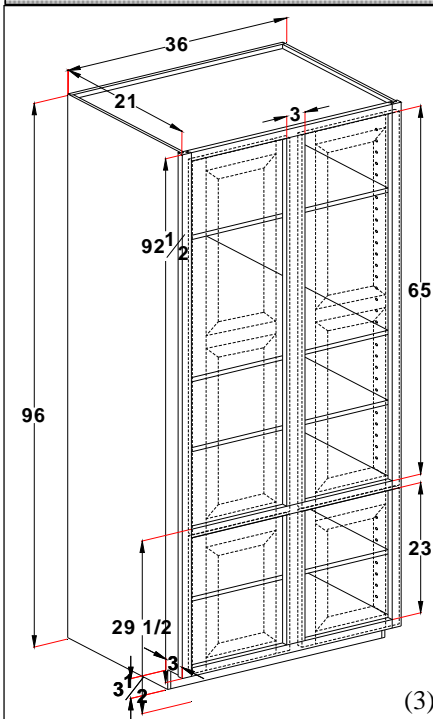
Note: Toe kick is attached. (Specify unattached for tilt up clearance). Finished ends will still be applied. Unable to ship finished end loose.

For 18" deep change the 21 to 18 for example (LCC361890) N/C

- (1) Single hung specify left or right hinge.
- (2) 2 door butt doors

# Linen closet 21" deep child height 29-1/2"

## Linen closet 96" tall - FRAMED



Cabinet	List Price
LCC152196(1)	856
LCC182196(1)	944
LCC212196(1)	1031
LCC242196(2)	1143
LCC272196(2)	1230
LCC302196(3)	1352
LCC332196(3)	1433
LCC362196(3)	1519

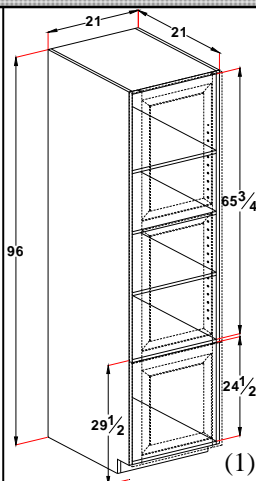
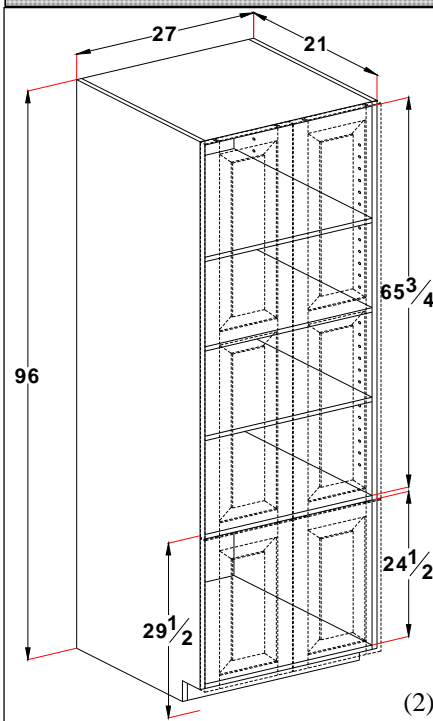
Note: Toe kick is attached. (Specify unattached for tilt up clearance) Finished ends on cabinets with unattached toe kick are shipped loose.

- (1) Single hung specify left or right hinge.
- (2) 2 door butt doors
- (3) 2 door w/mullion.

For 18" deep change the 21 to 18 for example (LCC361896) N/C

**Drawings show standard overlay openings only.**

## Linen closet 96" tall - FRAMELESS



Cabinet	List Price
LCC152196(1)	942
LCC182196(1)	1039
LCC212196(1)	1135
LCC242196(2)	1258
LCC272196(2)	1353
LCC302196(2)	1488
LCC332196(2)	1577
LCC362196(2)	1671

Note: Toe kick is attached. (Specify unattached for tilt up clearance). Finished ends will still be applied. Unable to ship finished end loose.

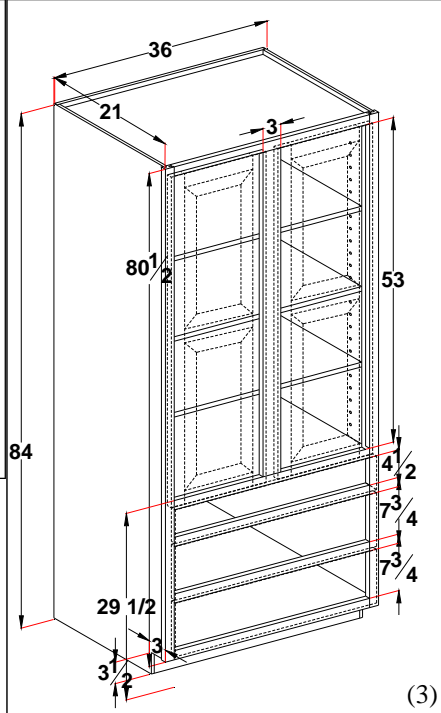
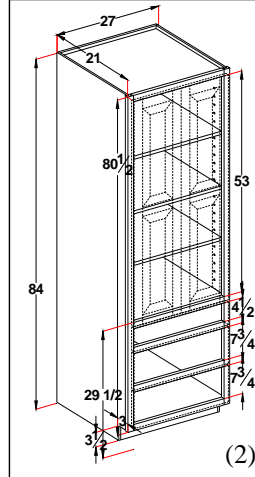
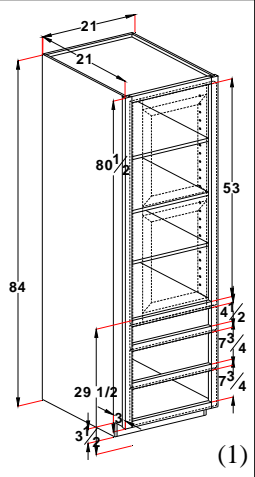
- (1) Single hung specify left or right hinge.
- (2) 2 door butt doors

For 18" deep change the 21 to 18 for example (LCC361896) N/C

Linen closet 21" deep child height 29-1/2"

Linen closet drawer 84" tall - **FRAMED**

Cabinet	List Price
LCDC152184(1)	912
LCDC182184(1)	995
LCDC212184(1)	1086
LCDC242184(2)	1191
LCDC272184(2)	1348
LCDC302184(3)	1477
LCDC332184(3)	1620
LCDC362184(3)	1777



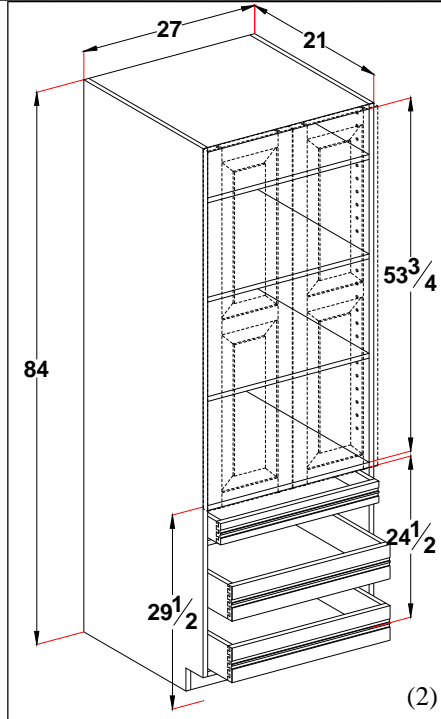
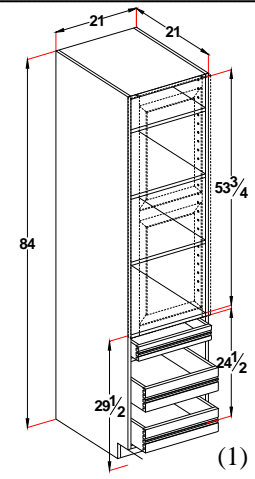
Note: Toe kick is attached. (Specify unattached for tilt up clearance) Finished ends on cabinets with unattached toe kick are shipped loose.

For 18" deep change the 21 to 18 for example (LCDC361884) N/C  
**Drawings show standard overlay openings only.**

- (1) Single hung specify left or right hinge.
- (2) 2 door butt doors
- (3) 2 door w/mullion.

Linen closet drawer 84" tall - **FRAMELESS**

Cabinet	List Price
LCDC152184(1)	1004
LCDC182184(1)	1095
LCDC212184(1)	1195
LCDC242184(2)	1311
LCDC272184(2)	1483
LCDC302184(2)	1625
LCDC332184(2)	1782
LCDC362184(2)	1955



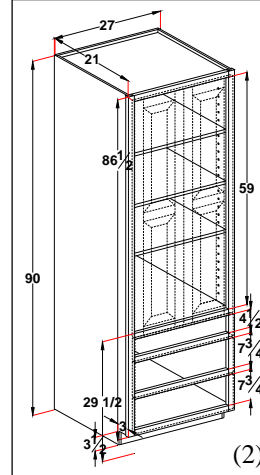
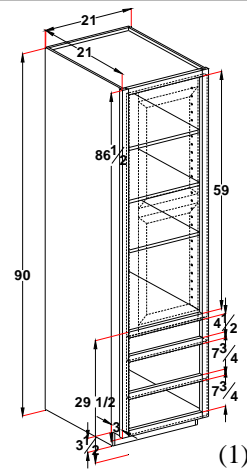
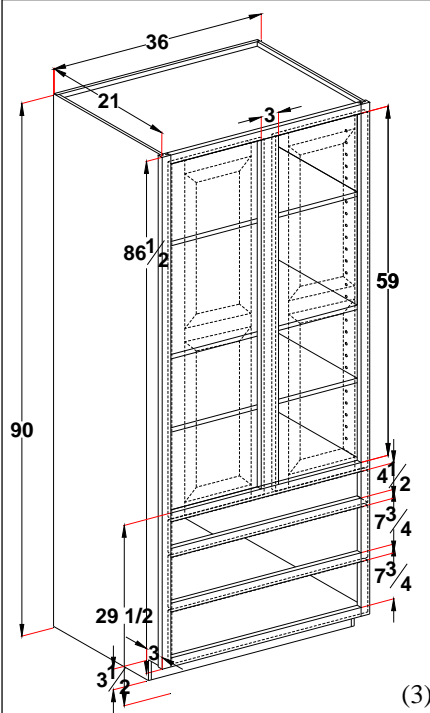
Note: Toe kick is attached. (Specify unattached for tilt up clearance). Finished ends will still be applied. Unable to ship finished end loose.

For 18" deep change the 21 to 18 for example (LCDC361884) N/C

- (1) Single hung specify left or right hinge.
- (2) 2 door butt doors

Linen closet 21" deep child height 29-1/2"

Linen closet drawer 90" tall - **FRAMED**



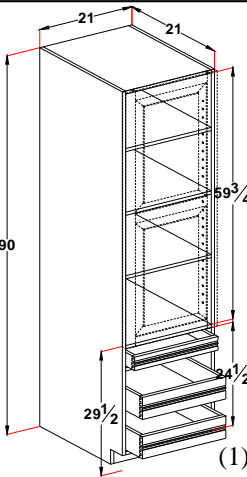
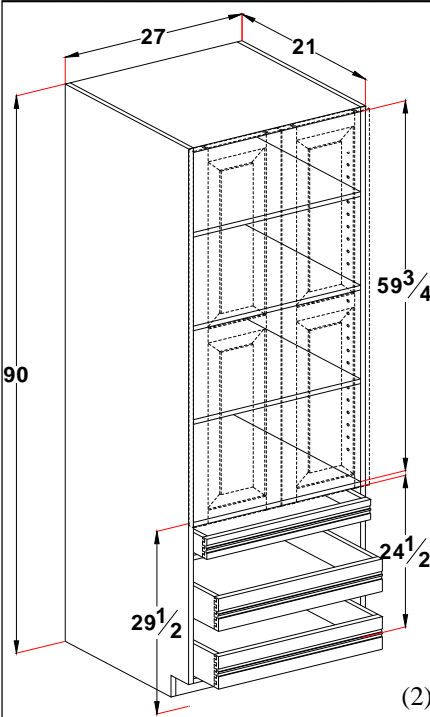
Cabinet	List Price
LCDC152190(1)	963
LCDC182190(1)	1052
LCDC212190(1)	1148
LCDC242190(2)	1260
LCDC272190(2)	1426
LCDC302190(3)	1612
LCDC332190(3)	1715
LCDC362190(3)	1881

Note: Toe kick is attached. (Specify unattached for tilt up clearance) Finished ends on cabinets with unattached toe kick are shipped loose.

- (1) Single hung specify left or right hinge.
- (2) 2 door butt doors
- (3) 2 door w/mullion.

For 18" deep change the 21 to 18 for example (LCDC361890) N/C  
**Drawings show standard overlay openings only.**

Linen closet drawer 90" tall - **FRAMELESS**



Cabinet	List Price
LCDC152190(1)	1060
LCDC182190(1)	1158
LCDC212190(1)	1263
LCDC242190(2)	1386
LCDC272190(2)	1569
LCDC302190(2)	1774
LCDC332190(2)	1887
LCDC362190(2)	2070

Note: Toe kick is attached. (Specify unattached for tilt up clearance). Finished ends will still be applied. Unable to ship finished end loose.

- (1) Single hung specify left or right hinge.
- (2) 2 door butt doors

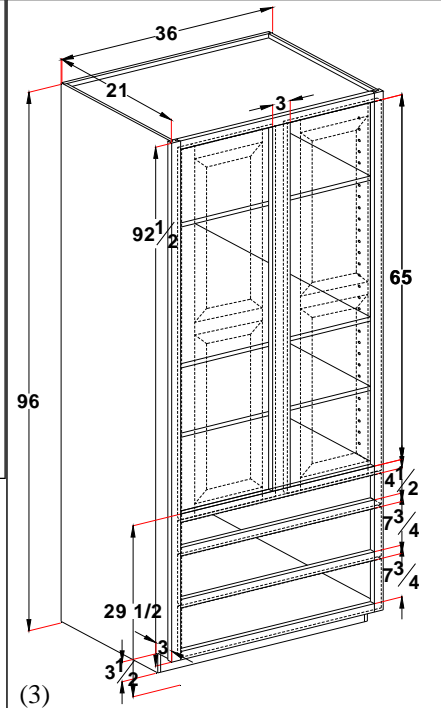
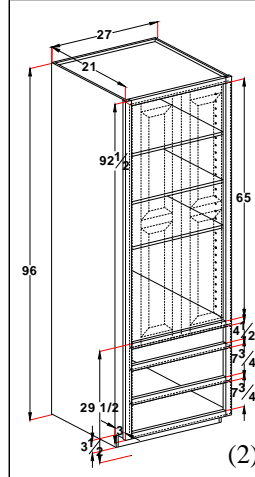
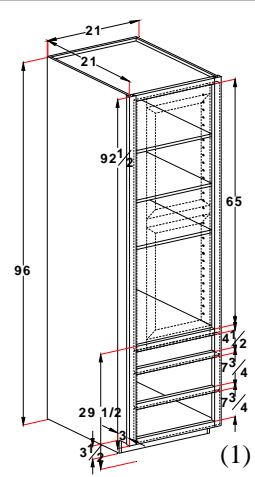
For 18" deep change the 21 to 18 for example (LCDC361890) N/C



Linen closet 21" deep child height 29-1/2"

Linen closet drawer 96" tall - **FRAMED**

Cabinet	List Price
LCDC152196(1)	1017
LCDC182196(1)	1112
LCDC212196(1)	1213
LCDC242196(2)	1333
LCDC272196(2)	1508
LCDC302196(3)	1653
LCDC332196(3)	1815
LCDC362196(3)	1977



Note: Toe kick is attached. (Specify unattached for tilt up clearance) Finished ends on cabinets with unattached toe kick are shipped loose.

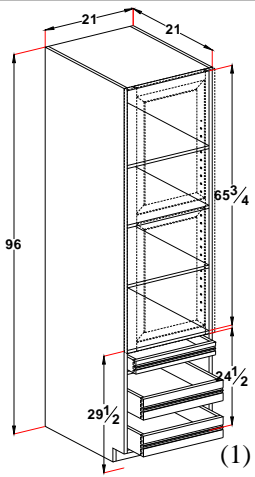
For 18" deep change the 21 to 18 for example (LCDC361896) N/C

**Drawings show standard overlay openings only.**

- (1) Single hung specify left or right hinge.
- (2) 2 door butt doors
- (3) 2 door w/mullion.

Linen closet drawer 96" tall - **FRAMELESS**

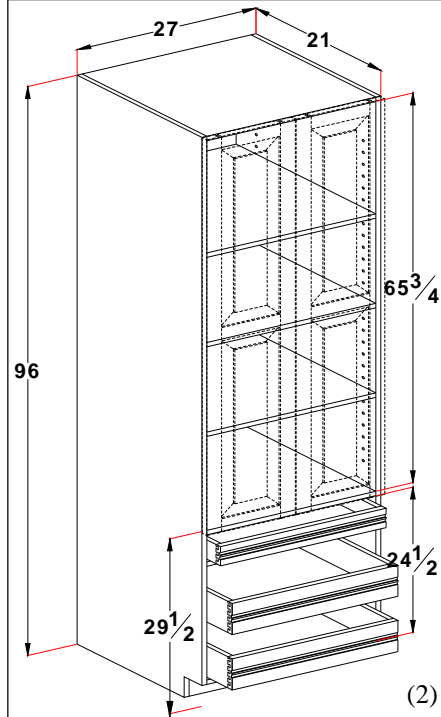
Cabinet	List Price
LCDC152196(1)	1119
LCDC182196(1)	1224
LCDC212196(1)	1335
LCDC242196(2)	1467
LCDC272196(2)	1659
LCDC302196(2)	1819
LCDC332196(2)	1997
LCDC362196(2)	2175



Note: Toe kick is attached. (Specify unattached for tilt up clearance). Finished ends will still be applied. Unable to ship finished end loose.

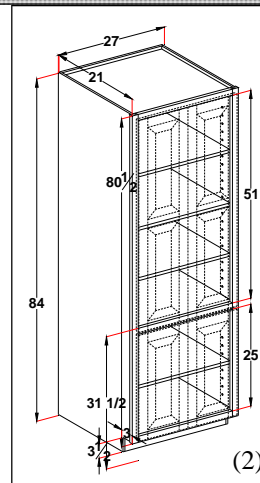
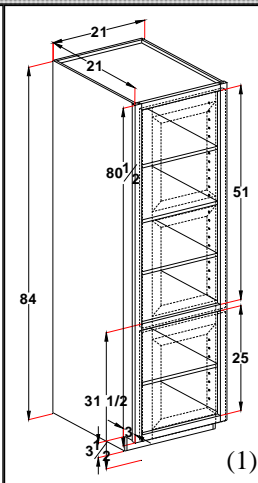
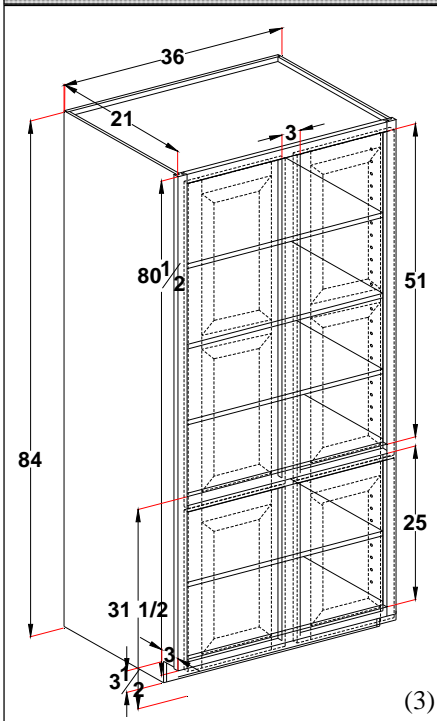
For 18" deep change the 21 to 18 for example (LCDC361896) N/C

- (1) Single hung specify left or right hinge.
- (2) 2 door butt doors



Linen closet 21" deep standard height 31-1/2"

Linen closet 84" tall - **FRAMED**



Cabinet	List Price
LCS152184(1)	762
LCS182184(1)	840
LCS212184(1)	917
LCS242184(2)	1017
LCS272184(2)	1094
LCS302184(3)	1203
LCS332184(3)	1275
LCS362184(3)	1352

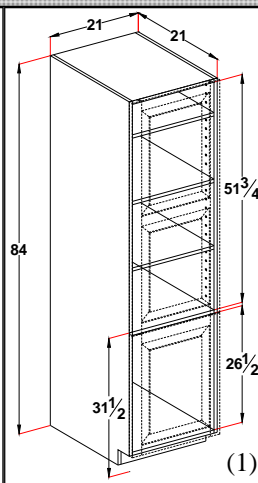
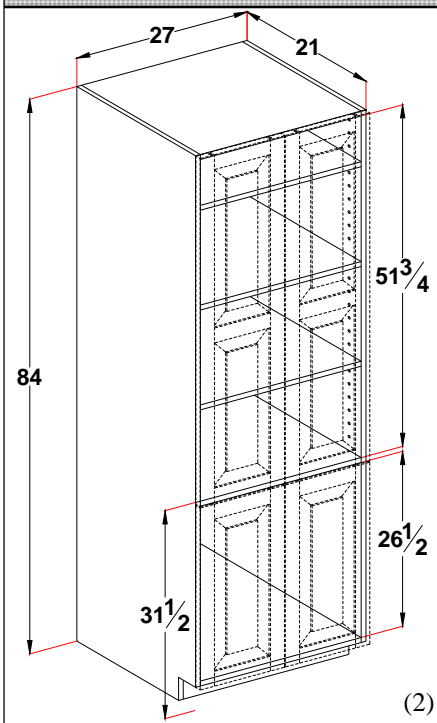
Note: Toe kick is attached. (Specify unattached for tilt up clearance) Finished ends on cabinets with unattached toe kick are shipped loose.

- (1) Single hung specify left or right hinge.
- (2) 2 door butt doors
- (3) 2 door w/mullion.

For 18" deep change the 21 to 18 for example (LCS361884) N/C

**Drawings show standard overlay openings only.**

Linen closet 84" tall - **FRAMELESS**



Cabinet	List Price
LCS152184(1)	839
LCS182184(1)	924
LCS212184(1)	1009
LCS242184(2)	1119
LCS272184(2)	1204
LCS302184(2)	1324
LCS332184(2)	1403
LCS362184(2)	1488

Note: Toe kick is attached. (Specify unattached for tilt up clearance). Finished ends will still be applied. Unable to ship finished end loose.

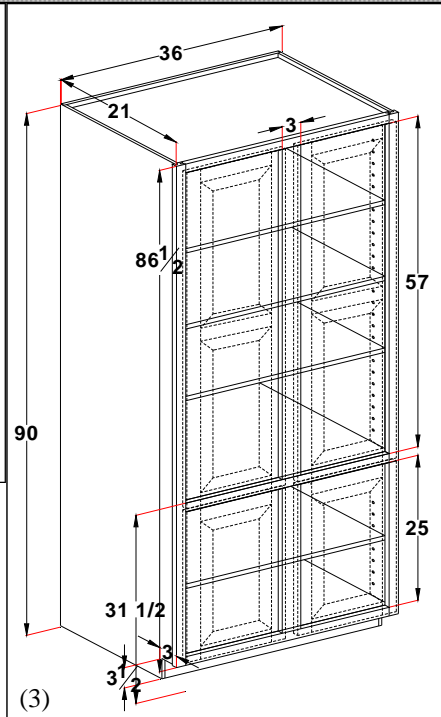
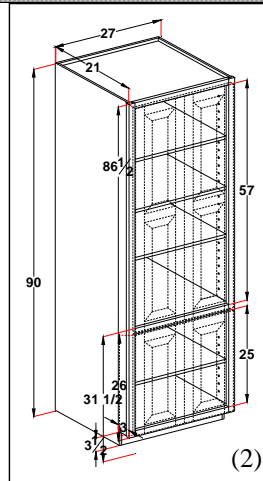
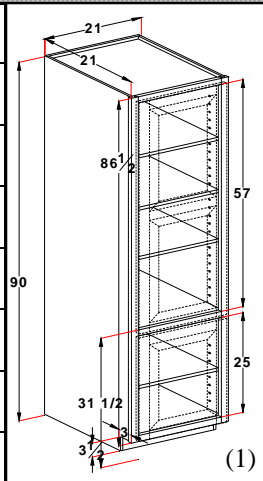
- (1) Single hung specify left or right hinge.
- (2) 2 door butt doors

For 18" deep change the 21 to 18 for example (LCS361884) N/C

Linen closet 21" deep standard height 31-1/2"

Linen closet 90" tall - **FRAMED**

Cabinet	List Price
LCS152190(1)	808
LCS182190(1)	890
LCS212190(1)	972
LCS242190(2)	1078
LCS272190(2)	1160
LCS302190(3)	1275
LCS332190(3)	1352
LCS362190(3)	1433

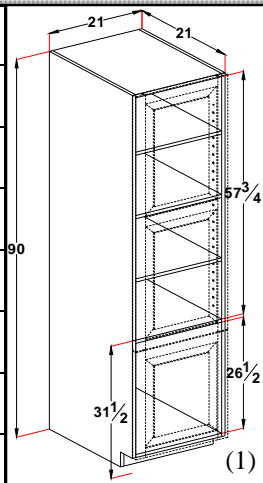


Note: Toe kick is attached. (Specify unattached for tilt up clearance) Finished ends on cabinets with unattached toe kick are shipped loose.

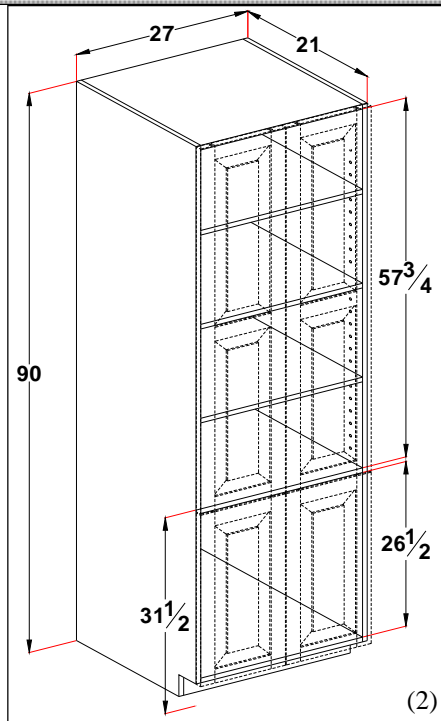
- For 18" deep change the 21 to 18 for example (LCS361890) N/C
- Drawings show standard overlay openings only.**
- (1) Single hung specify left or right hinge.
  - (2) 2 door butt doors
  - (3) 2 door w/mullion.

Linen closet 90" tall - **FRAMELESS**

Cabinet	List Price
LCS152190(1)	889
LCS182190(1)	979
LCS212190(1)	1070
LCS242190(2)	1186
LCS272190(2)	1276
LCS302190(2)	1403
LCS332190(2)	1488
LCS362190(2)	1577



- (1) Single hung specify left or right hinge.
- (2) 2 door butt doors



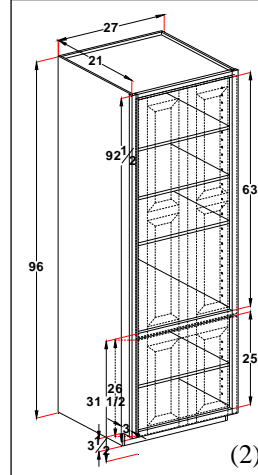
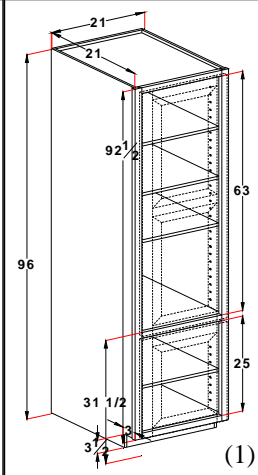
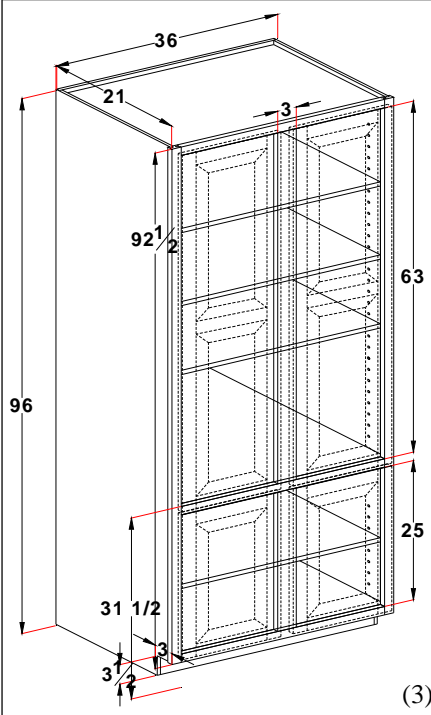
Note: Toe kick is attached. (Specify unattached for tilt up clearance). Finished ends will still be applied. Unable to ship finished end loose.

For 18" deep change the 21 to 18 for example (LCS361890) N/C



Linen closet 21" deep standard height 31-1/2"

Linen closet 96" tall - **FRAMED**

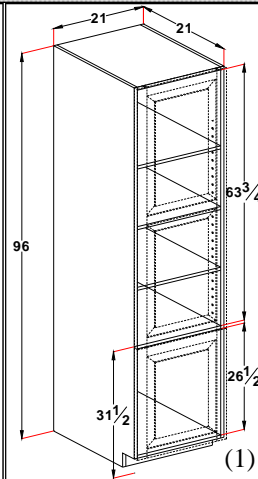
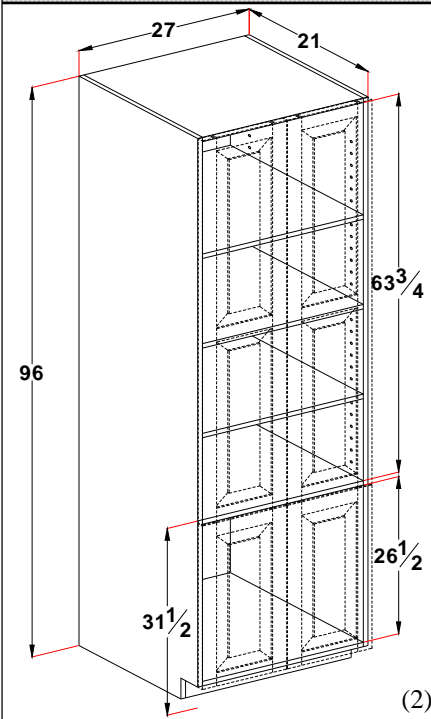


Cabinet	List Price
LCS152196(1)	856
LCS182196(1)	944
LCS212196(1)	1031
LCS242196(2)	1143
LCS272196(2)	1230
LCS302196(3)	1352
LCS332196(3)	1433
LCS362196(3)	1519

Note: Toe kick is attached. (Specify unattached for tilt up clearance) Finished ends on cabinets with unattached toe kick are shipped loose.

- (1) Single hung specify left or right hinge. For 18" deep change the 21 to 18 for example (LCS361896) N/C  
 (2) 2 door butt doors  
 (3) 2 door w/mullion.
- Drawings show standard overlay openings only.**

Linen closet 96" tall - **FRAMELESS**



Cabinet	List Price
LCS152196(1)	942
LCS182196(1)	1039
LCS212196(1)	1135
LCS242196(2)	1258
LCS272196(2)	1353
LCS302196(2)	1488
LCS332196(2)	1577
LCS362196(2)	1671

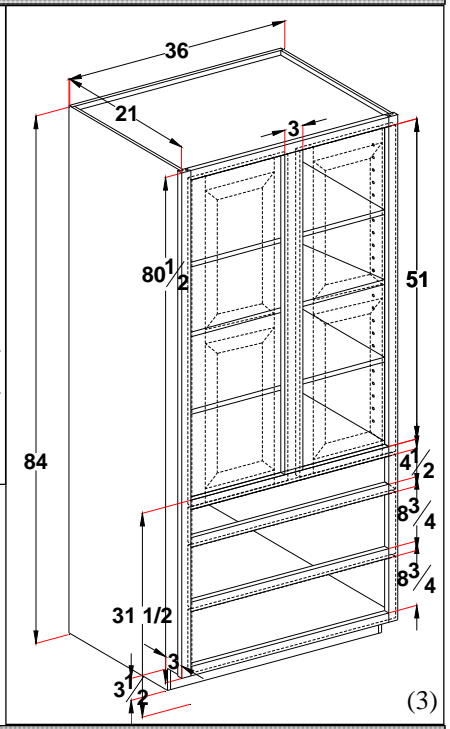
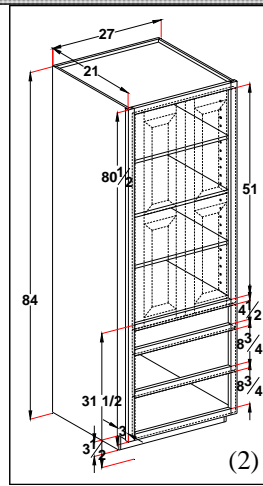
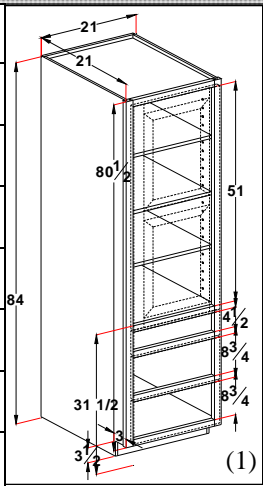
Note: Toe kick is attached. (Specify unattached for tilt up clearance). Finished ends will still be applied. Unable to ship finished end loose.

- (1) Single hung specify left or right hinge. For 18" deep change the 21 to 18 for example (LCS361896) N/C  
 (2) 2 door butt doors

Linen closet 21" deep standard height 31-1/2"

Linen closet drawer 84" tall - **FRAMED**

Cabinet	List Price
LCDS152184(1)	1022
LCDS182184(1)	1106
LCDS212184(1)	1197
LCDS242184(2)	1302
LCDS272184(2)	1458
LCDS302184(3)	1588
LCDS332184(3)	1731
LCDS362184(3)	1888



Note: Toe kick is attached. (Specify unattached for tilt up clearance) Finished ends on cabinets with unattached toe kick are shipped loose.

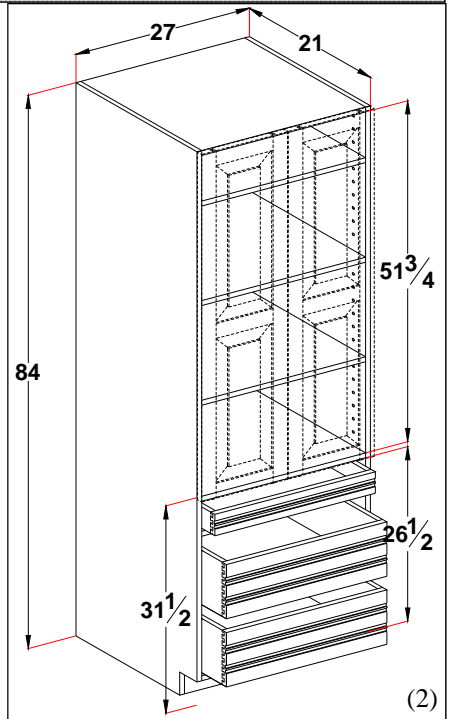
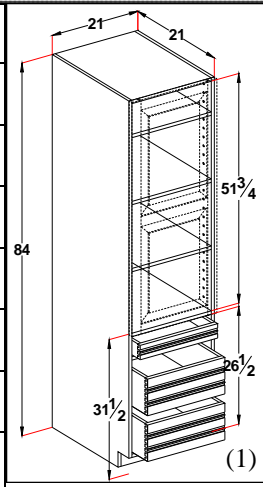
For 18" deep change the 21 to 18 for example (LCDS361884) N/C

- (1) Single hung specify left or right hinge.
- (2) 2 door butt doors
- (3) 2 door w/mullion.

**Drawings show standard overlay openings only.**

Linen closet drawer 84" tall - **FRAMELESS**

Cabinet	List Price
LCDS152184(1)	1125
LCDS182184(1)	1217
LCDS212184(1)	1317
LCDS242184(2)	1433
LCDS272184(2)	1604
LCDS302184(2)	1747
LCDS332184(2)	1905
LCDS362184(2)	2077



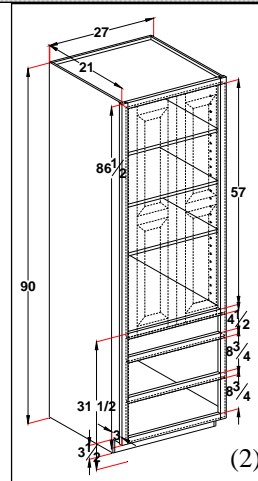
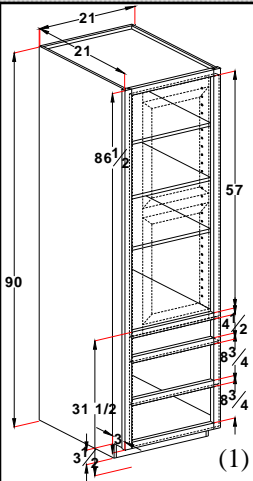
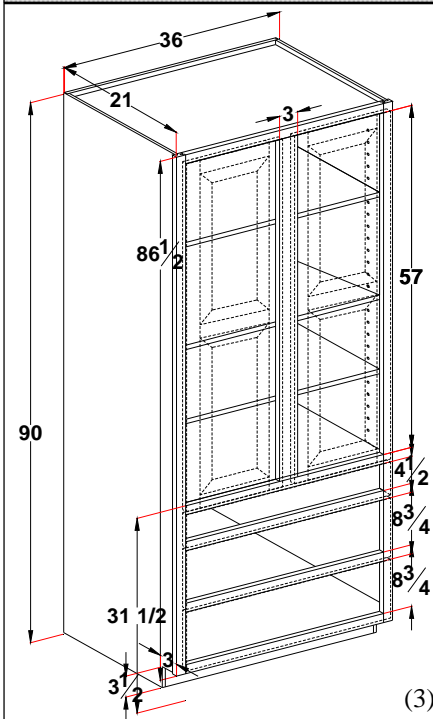
Note: Toe kick is attached. (Specify unattached for tilt up clearance). Finished ends will still be applied. Unable to ship finished end loose.

For 18" deep change the 21 to 18 for example (LCDS361884) N/C

- (1) Single hung specify left or right hinge.
- (2) 2 door butt doors

Linen closet 21" deep standard height 31-1/2"

Linen closet drawer 90" tall - **FRAMED**



Note: Toe kick is attached. (Specify unattached for tilt up clearance) Finished ends on cabinets with unattached toe kick are shipped loose.

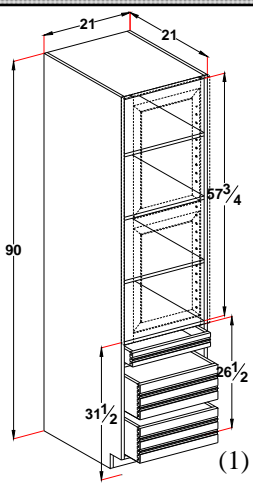
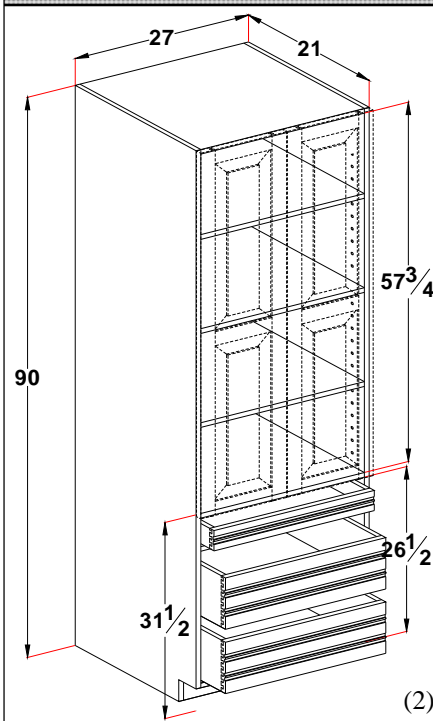
- (1) Single hung specify left or right hinge.
- (2) 2 door butt doors
- (3) 2 door w/mullion.

For 18" deep change the 21 to 18 for example (LCDS361884) N/C

**Drawings show standard overlay openings only.**

Cabinet	List Price
LCDS152190(1)	1074
LCDS182190(1)	1163
LCDS212190(1)	1259
LCDS242190(2)	1371
LCDS272190(2)	1537
LCDS302190(3)	1723
LCDS332190(3)	1826
LCDS362190(3)	1992

Linen closet drawer 90" tall - **FRAMELESS**



Note: Toe kick is attached. (Specify unattached for tilt up clearance) Finished ends will still be applied. Unable to ship finished end loose.

- (1) Single hung specify left or right hinge.
- (2) 2 door butt doors

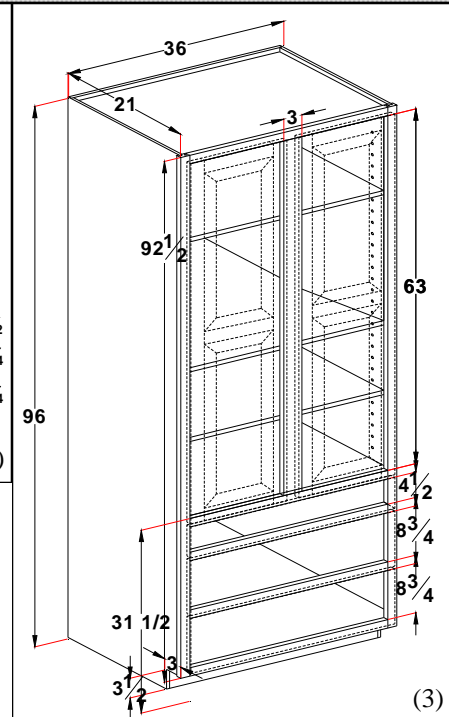
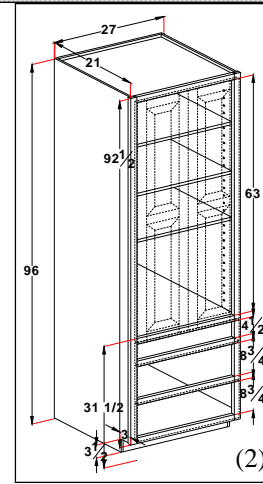
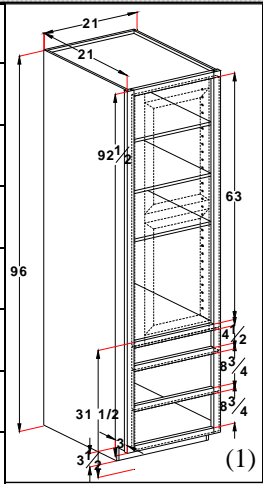
For 18" deep change the 21 to 18 for example (LCDS361884) N/C

Cabinet	List Price
LCDS152190(1)	1182
LCDS182190(1)	1280
LCDS212190(1)	1385
LCDS242190(2)	1509
LCDS272190(2)	1691
LCDS302190(2)	1896
LCDS332190(2)	2009
LCDS362190(2)	2192

Linen closet 21" deep standard height 31-1/2"

Linen closet drawer 96" tall - **FRAMED**

Cabinet	List Price
LCDS152196(1)	1145
LCDS182196(1)	1222
LCDS212196(1)	1323
LCDS242196(2)	1444
LCDS272196(2)	1619
LCDS302196(3)	1764
LCDS332196(3)	1926
LCDS362196(3)	2088



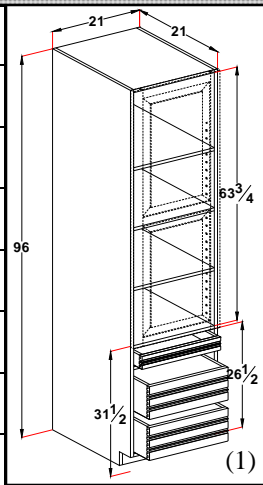
Note: Toe kick is attached. (Specify unattached for tilt up clearance) Finished ends on cabinets with unattached toe kick are shipped loose.

For 18" deep change the 21 to 18 for example (LCDS361884) N/C  
**Drawings show standard overlay openings only.**

- (1) Single hung specify left or right hinge.
- (2) 2 door butt doors
- (3) 2 door w/mullion.

Linen closet drawer 96" tall - **FRAMELESS**

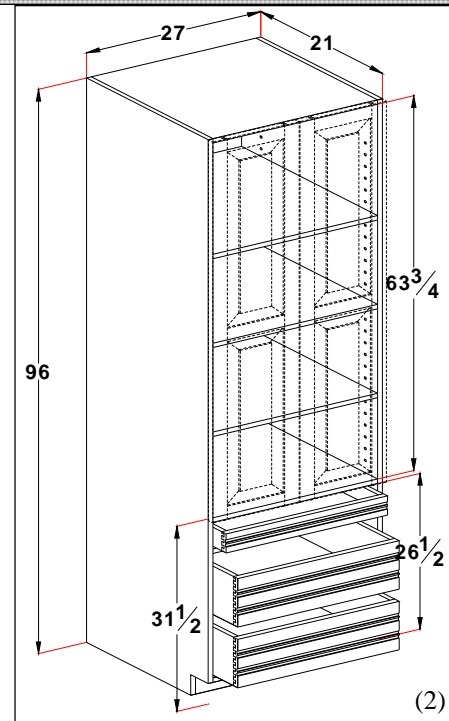
Cabinet	List Price
LCDS152196(1)	1260
LCDS182196(1)	1345
LCDS212196(1)	1456
LCDS242196(2)	1589
LCDS272196(2)	1781
LCDS302196(2)	1941
LCDS332196(2)	2119
LCDS362196(3)	2297



Note: Toe kick is attached. (Specify unattached for tilt up clearance) Finished ends will still be applied. Unable to ship finished end loose.

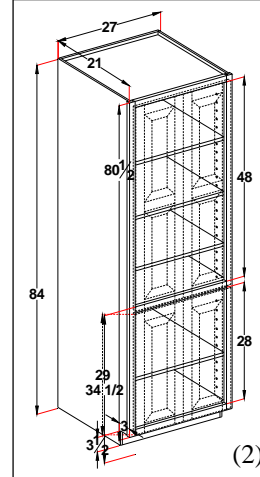
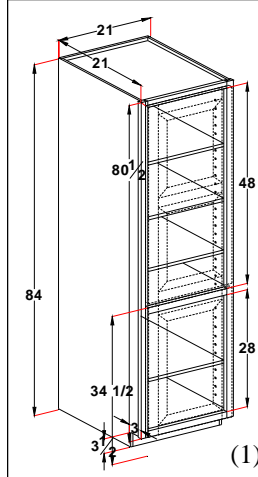
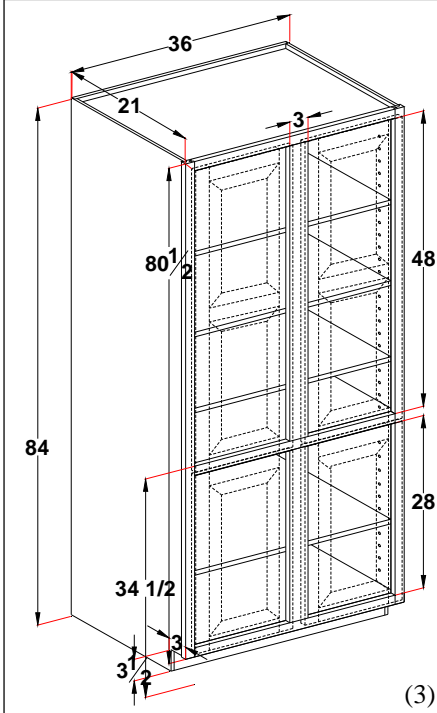
For 18" deep change the 21 to 18 for example (LCDS361884) N/C

- (1) Single hung specify left or right hinge.
- (2) 2 door butt doors
- (3) 2 door w/partitions



Linen closet 21" deep adult height 34-1/2"

Linen closet 84" tall - **FRAMED**



- (1) Single hung specify left or right hinge.
- (2) 2 door butt doors
- (3) 2 door w/mullion.

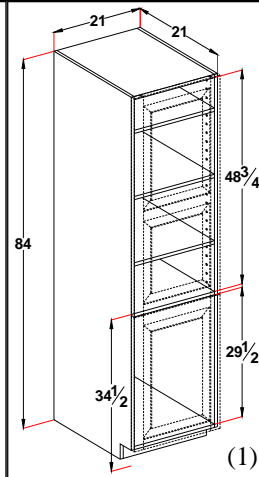
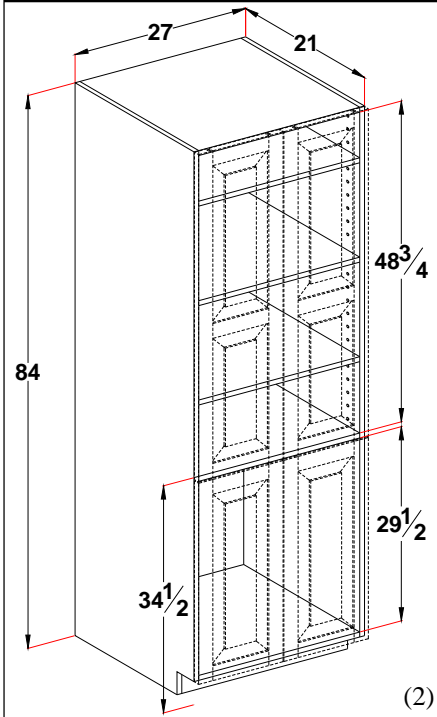
Note: Toe kick is attached. (Specify unattached for tilt up clearance) Finished ends on cabinets with unattached toe kick are shipped loose.

For 18" deep change the 21 to 18 for example (LCA361884) N/C

**Drawings show standard overlay openings only.**

Cabinet	List Price
LCA152184(1)	762
LCA182184(1)	840
LCA212184(1)	917
LCA242184(2)	1017
LCA272184(2)	1094
LCA302184(3)	1203
LCA332184(3)	1275
LCA362184(3)	1352

Linen closet 84" tall - **FRAMELESS**



- (1) Single hung specify left or right hinge.
- (2) 2 door butt doors
- (3) 2 door w/partitions

Note: Toe kick is attached. (Specify unattached for tilt up clearance) Finished ends will still be applied. Unable to ship finished end loose.

For 18" deep change the 21 to 18 for example (LCA361884) N/C

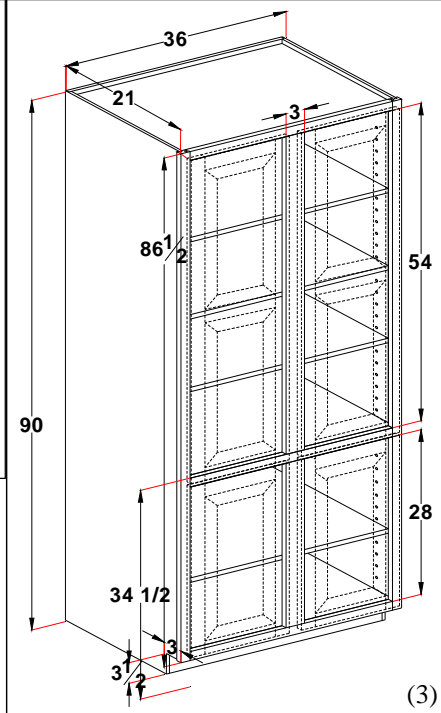
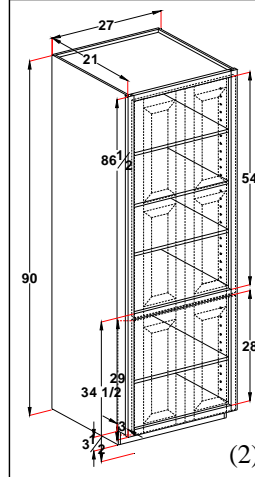
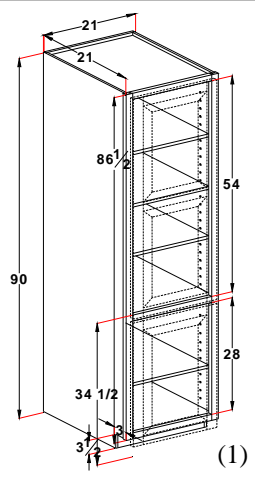
Cabinet	List Price
LCA152184(1)	839
LCA182184(1)	924
LCA212184(1)	1009
LCA242184(2)	1119
LCA272184(2)	1204
LCA302184(2)	1324
LCA332184(2)	1403
LCA362184(3)	1488



Linen closet 21" deep adult height 34-1/2"

Linen closet 90" tall - **FRAMED**

Cabinet	List Price
LCA152190(1)	808
LCA182190(1)	890
LCA212190(1)	972
LCA242190(2)	1078
LCA272190(2)	1160
LCA302190(3)	1275
LCA332190(3)	1352
LCA362190(3)	1433

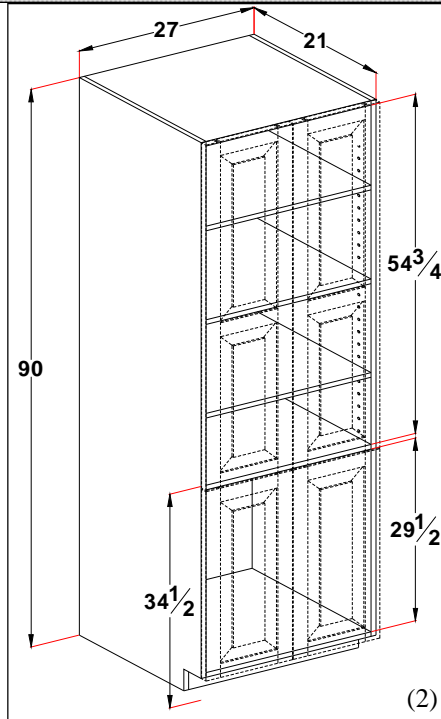
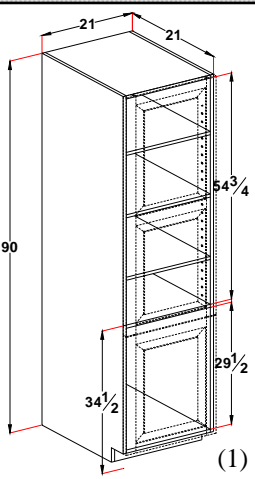


Note: Toe kick is attached. (Specify unattached for tilt up clearance) Finished ends on cabinets with unattached toe kick are shipped loose.

For 18" deep change the 21 to 18 for example (1) Single hung specify left or right hinge.  
 (LCA361884) N/C  
**Drawings show standard overlay openings only.**  
 (2) 2 door butt doors  
 (3) 2 door w/mullion.

Linen closet 90" tall - **FRAMELESS**

Cabinet	List Price
LCA152190(1)	889
LCA182190(1)	979
LCA212190(1)	1070
LCA242190(2)	1186
LCA272190(2)	1276
LCA302190(2)	1403
LCA332190(2)	1488
LCA362190(2)	1577

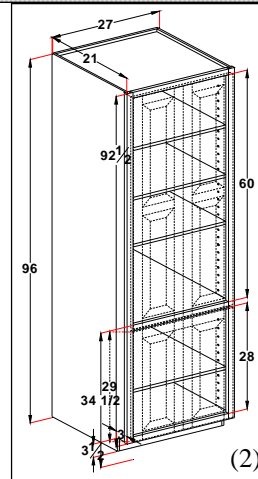
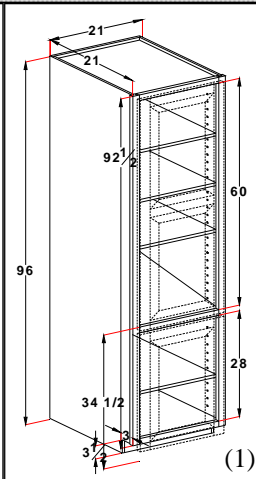
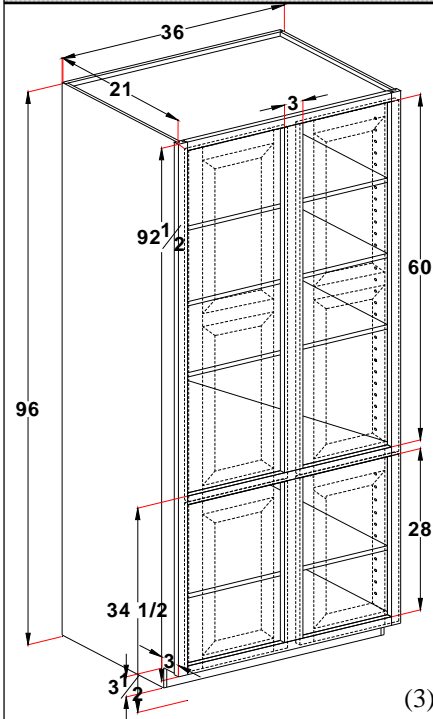


Note: Toe kick is attached. (Specify unattached for tilt up clearance) Finished ends will still be applied. Unable to ship finished end loose.

For 18" deep change the 21 to 18 for example (1) Single hung specify left or right hinge.  
 (LCA361884) N/C  
 (2) 2 door butt doors

Linen closet 21" deep adult height 34-1/2"

Linen closet 96" tall - **FRAMED**



Cabinet	List Price
LCA152196(1)	856
LCA182196(1)	944
LCA212196(1)	1031
LCA242196(2)	1143
LCA272196(2)	1230
LCA302196(3)	1352
LCA332196(3)	1433
LCA362196(3)	1519

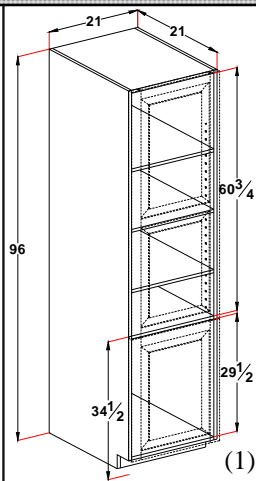
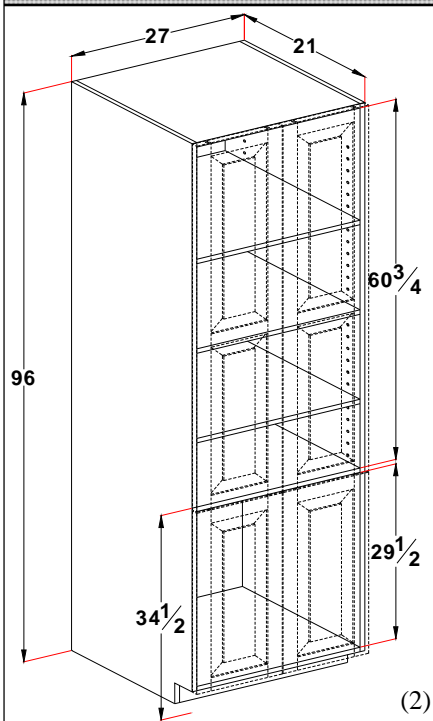
Note: Toe kick is attached. (Specify unattached for tilt up clearance) Finished ends on cabinets with unattached toe kick are shipped loose.

- (1) Single hung specify left or right hinge.
- (2) 2 door butt doors
- (3) 2 door w/mullion.

For 18" deep change the 21 to 18 for example (LCA361884) N/C

**Drawings show standard overlay openings only.**

Linen closet 96" tall - **FRAMELESS**



Cabinet	List Price
LCA152196(1)	942
LCA182196(1)	1039
LCA212196(1)	1135
LCA242196(2)	1258
LCA272196(2)	1353
LCA302196(2)	1488
LCA332196(2)	1577
LCA362196(2)	1671

Note: Toe kick is attached. (Specify unattached for tilt up clearance) Finished ends will still be applied. Unable to ship finished end loose.

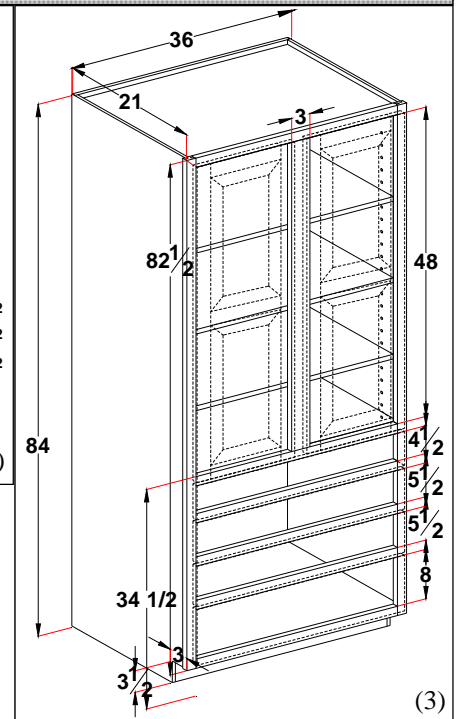
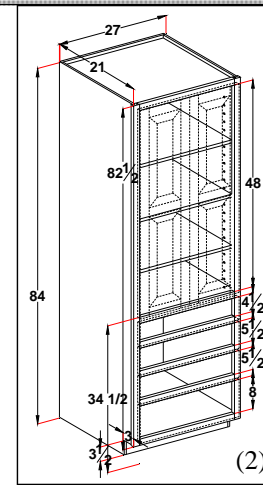
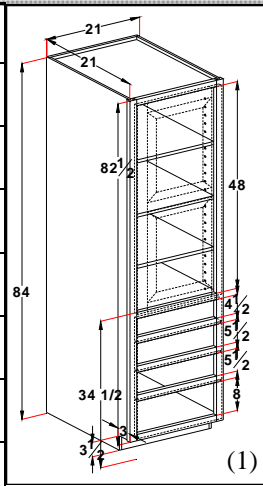
- (1) Single hung specify left or right hinge.
- (2) 2 door butt doors

For 18" deep change the 21 to 18 for example (LCA361884) N/C

Linen closet drawer 21" deep adult height 34-1/2"

Linen closet drawer 84" tall - **FRAMED**

Cabinet	List Price
LCDA152184(1)	1132
LCDA182184(1)	1215
LCDA212184(1)	1306
LCDA242184(2)	1411
LCDA272184(2)	1568
LCDA302184(3)	1697
LCDA332184(3)	1841
LCDA362184(3)	1997



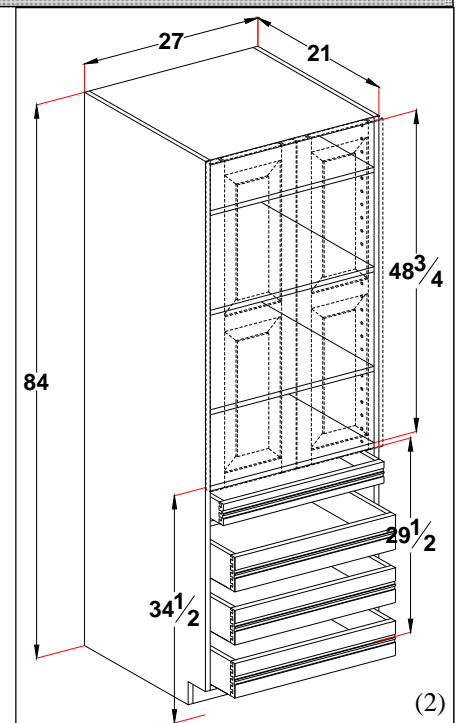
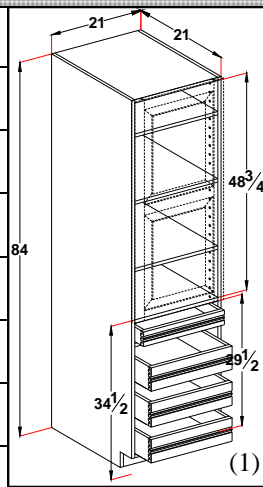
Note: Toe kick is attached. (Specify unattached for tilt up clearance) Finished ends on cabinets with unattached toe kick are shipped loose.

For 18" deep change the 21 to 18 for example (LCDA361884) N/C  
**Drawings show standard overlay openings only.**

- (1) Single hung specify left or right hinge.
- (2) 2 door butt doors
- (3) 2 door w/mullion.

Linen closet drawer 84" tall - **FRAMELESS**

Cabinet	List Price
LCDA152184(1)	1246
LCDA182184(1)	1337
LCDA212184(1)	1437
LCDA242184(2)	1553
LCDA272184(2)	1725
LCDA302184(2)	1867
LCDA332184(2)	2026
LCDA362184(3)	2197



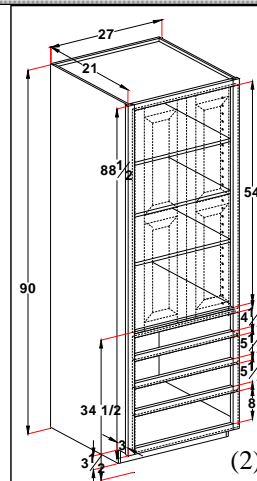
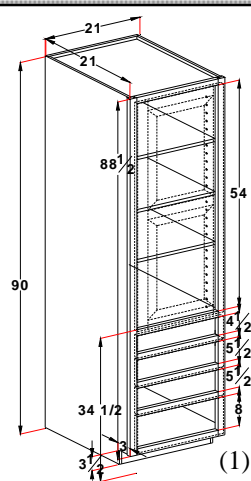
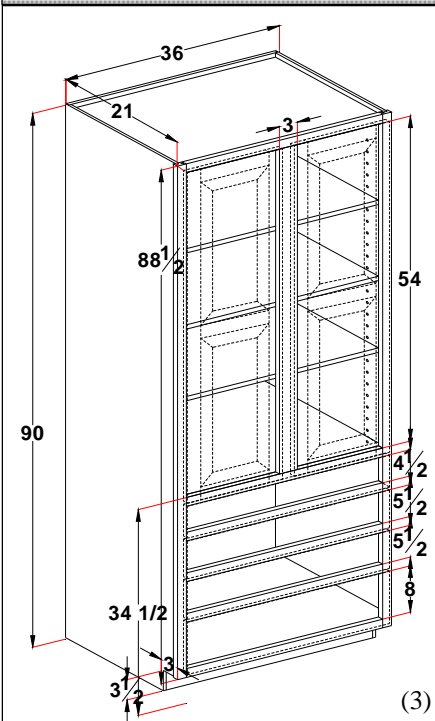
Note: Toe kick is attached. (Specify unattached for tilt up clearance) Finished ends will still be applied. Unable to ship finished end loose.

For 18" deep change the 21 to 18 for example (LCDA361884) N/C

- (1) Single hung specify left or right hinge.
- (2) 2 door butt doors
- (3) 2 door w/partitions

Linen closet drawer 21" deep adult height 34-1/2"

Linen closet drawer 90" tall - **FRAMED**



Cabinet	List Price
LCDA152190(1)	1183
LCDA182190(1)	1272
LCDA212190(1)	1368
LCDA242190(2)	1480
LCDA272190(2)	1646
LCDA302190(3)	1832
LCDA332190(3)	1935
LCDA362190(3)	2101

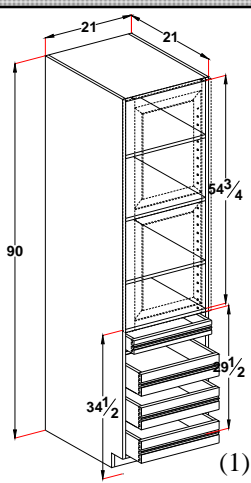
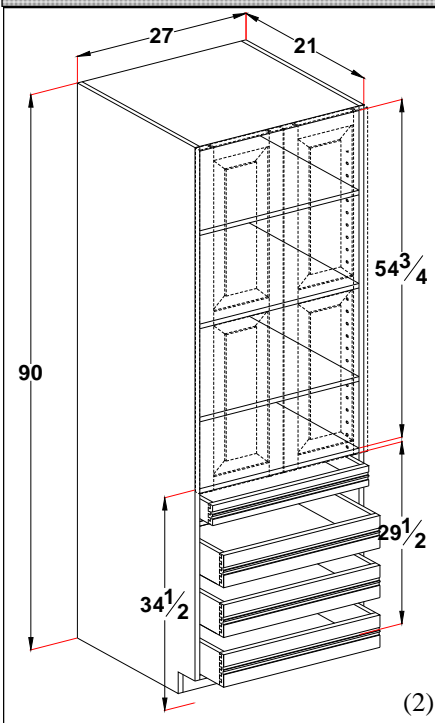
Note: Toe kick is attached. (Specify unattached for tilt up clearance) Finished ends on cabinets with unattached toe kick are shipped loose.

- (1) Single hung specify For 18" deep change the 21 to 18 for example left or right hinge. (LCDA361884) N/C

- (2) 2 door butt doors  
 (3) 2 door w/mullion.

**Drawings show standard overlay openings only.**

Linen closet drawer 90" tall - **FRAMELESS**



Cabinet	List Price
LCDA152190(1)	1302
LCDA182190(1)	1400
LCDA212190(1)	1505
LCDA242190(2)	1628
LCDA272190(2)	1811
LCDA302190(2)	2016
LCDA332190(2)	2129
LCDA362190(2)	2312

Note: Toe kick is attached. (Specify unattached for tilt up clearance) Finished ends will still be applied. Unable to ship finished end loose.

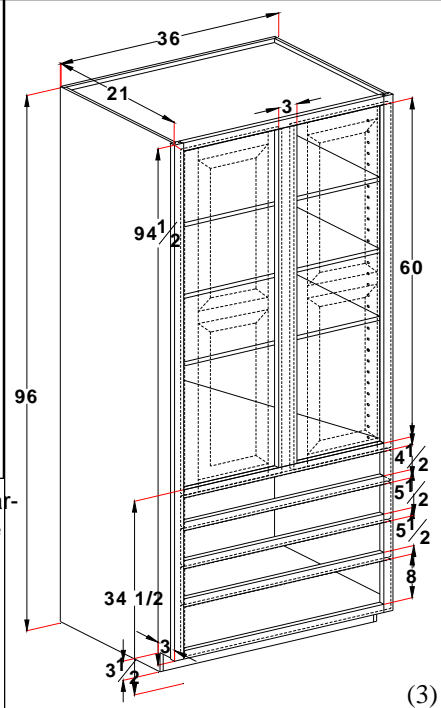
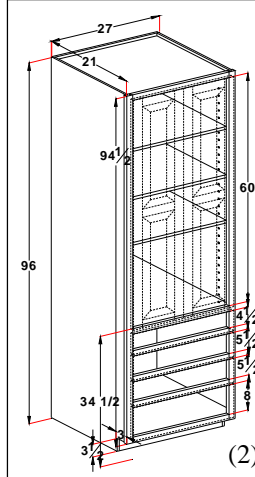
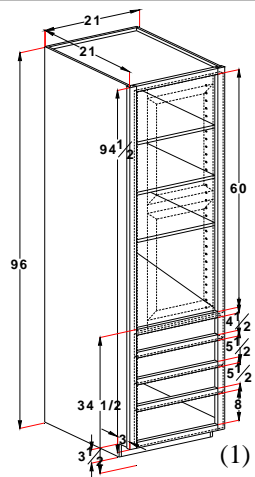
- (1) Single hung specify For 18" deep change the 21 to 18 for example left or right hinge. (LCDA361884) N/C

- (2) 2 door butt doors

Linen closet drawer 21" deep adult height 34-1/2"

Linen closet drawer 96" tall - **FRAMED**

Cabinet	List Price
LCDA152196(1)	1274
LCDA182196(1)	1332
LCDA212196(1)	1433
LCDA242196(2)	1553
LCDA272196(2)	1728
LCDA302196(3)	1873
LCDA332196(3)	2035
LCDA362196(3)	2197



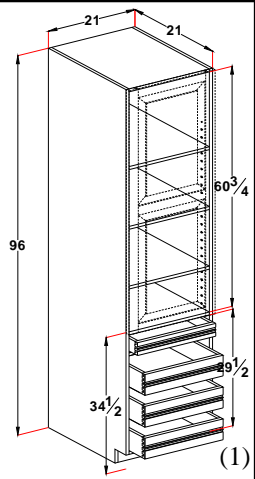
Note: Toe kick is attached. (Specify unattached for tilt up clearance) Finished ends on cabinets with unattached toe kick are shipped loose.

For 18" deep change the 21 to 18 for example (LCDA361884) N/C  
**Drawings show standard overlay openings only.**

- (1) Single hung specify left or right hinge.
- (2) 2 door butt doors
- (3) 2 door w/mullion.

Linen closet drawer 96" tall - **FRAMELESS**

Cabinet	List Price
LCDA152196(1)	1402
LCDA182196(1)	1466
LCDA212196(1)	1577
LCDA242196(2)	1709
LCDA272196(2)	1901
LCDA302196(2)	2061
LCDA332196(2)	2239
LCDA362196(2)	2417



Note: Toe kick is attached. (Specify unattached for tilt up clearance) Finished ends will still be applied. Unable to ship finished end loose.

For 18" deep change the 21 to 18 for example (LCDA361884) N/C

- (1) Single hung specify left or right hinge.
- (2) 2 door butt doors

